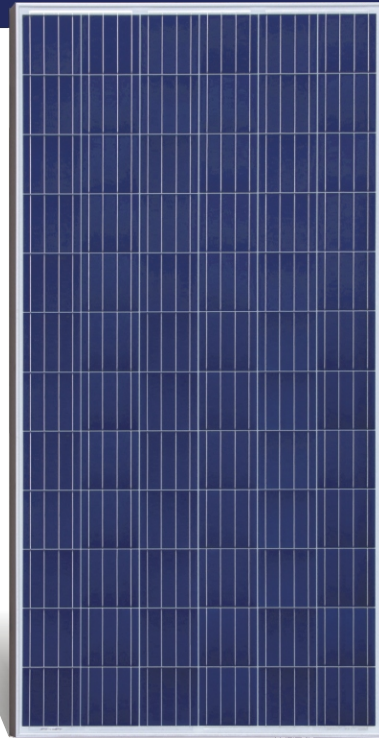


Green Risun Grasp future

# RSM72-156P

## 310 – 325W



### KEY FEATURES



**PID resistant**



**Excellent module efficiency**



**Positive power tolerance to +5W**



**100% electroluminescence**



**Heavy snow load 5400 Pa  
Wind load 2400 Pa**



**IP67 junction box for long term  
endurance**



**10 years product warranty**



**25 years linear power warranty**

**Jiangxi Risun Green Energy Co.,Ltd**, is a high-tech PV enterprise dedicated to research & development, production, sales & after sales service, mainly engaged in crystalline silicon solar cells, solar panels, photovoltaic systems, and PV applications. Risun is committed to offer high quality solar components, systems and services to customers around the world.

### MANAGEMENT SYSTEMS CERTIFICATES



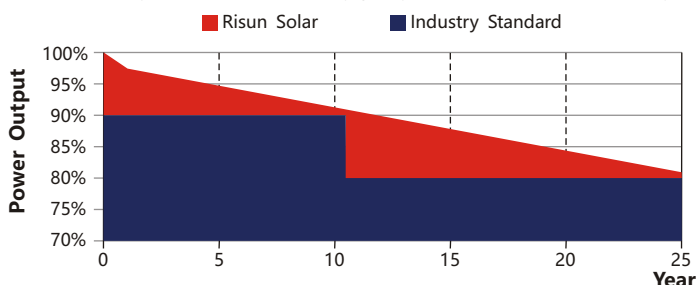
Management System  
ISO9001:2008  
www.tuv.com  
ID 9105016347

### PRODUCT CERTIFICATES



### LINEAR PERFORMANCE WARRANTY

10 year Product Warranty | 25 year Power Output Warranty



### JIANGXI RISUN GREEN ENERGY CO.,LTD.

Add: Dayi Road, Xiacun Industrial Park, Xinyu, Jiangxi, China

Fax: +86 790 6852 888 P.C.: 338019

Web: www.risunsolar.com E-mail: sales@risunsolar.com

#### International Business Department

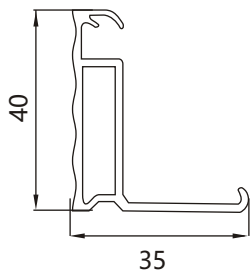
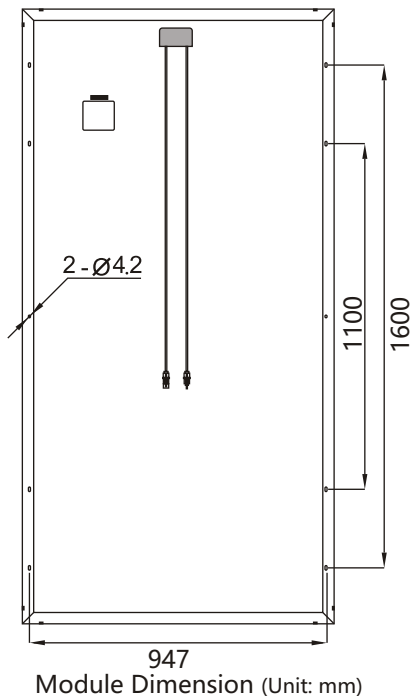
Tel: +86 790 685 2825 +86 790 685 2826 +86 790 685 2886

WhatsApp: +86 15907905869 +86 18879015557

Facebook: <https://www.facebook.com/RisunGreenEnergy>



# RSM72-156P 310 – 325W



## ELECTRICAL CHARACTERISTICS

	310	315	320	325
Maximum Power $P_{mp}$ , [Watt]	310	315	320	325
Power Tolerance, [W]	0 / +5			
Voltage at Maximum Power Point $V_{mpp}$ , [V]	36.43	36.67	36.99	37.23
Current at Maximum Power Point $I_{mpp}$ , [A]	8.51	8.59	8.65	8.73
Open Circuit Voltage $V_{oc}$ , [V]	45.47	45.65	45.8	45.9
Short Circuit Current $I_{sc}$ , [A]	9.06	9.15	9.23	9.31
Module Efficiency, [%]	16.1	16.4	16.6	16.8

Measurements under Standard Test Conditions (STC)  
Irradiance 1000W/m<sup>2</sup>, AM1.5G Spectrum and Cell Temperature 25°C

## MECHANICAL CHARACTERISTICS

Cell Type	Poly-crystalline, 156.75mm × 156.75mm
Cell Configuration	72 cells (6 × 12)
Module Dimension	1956mm × 992mm × 40mm
Module Weight	25.5 Kg
Glass	4.0mm, low Iron tempered Solar Glass
Frame	Anodized Al alloy Type 6063 T5; Silver grey
J-Box	Potted, IP67, 1000V/1500V DC, IEC & UL certified
Cable	4.0mm <sup>2</sup> / 12 AWG, 1000 mm, IP67
Connectors	QC4.10

## THERMAL CHARACTERISTICS

Nominal Operating Temperature NOCT	45 ± 2°C
Temperature Coefficient of $I_{sc}$ , $\alpha$	+0.049 %/°C
Temperature Coefficient of $V_{oc}$ , $\beta$	-0.309 %/°C
Temperature Coefficient of $P_{max}$ , $\gamma$	-0.416 %/°C

## MAXIMUM OPERATING INSTRUCTIONS

Operating Temperature	-40°C to +85°C
Maximum System Voltage	1000V/1500V
Maximum Series Fuse Rating	15A

## PACKING INSTRUCTIONS

Number Of Modules Per Box / Pallet	26
Number of Pallets / 40' Container	22

