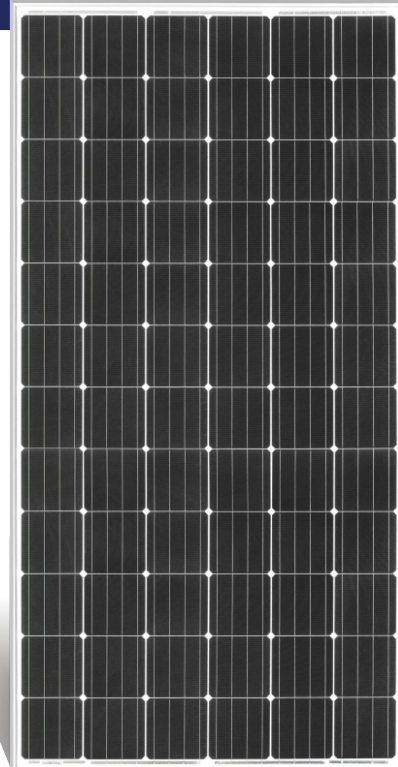


Green Risun Grasp future

RSM72-156M

320 – 345W



KEY FEATURES



PID resistant



Excellent module efficiency



Positive power tolerance to +5W



100% electroluminescence



**Heavy snow load 5400 Pa
Wind load 2400 Pa**



**IP67 junction box for long term
endurance**



10 years product warranty



25 years linear power warranty

Jiangxi Risun Green Energy Co.,Ltd, is a high-tech PV enterprise dedicated to research & development, production, sales & after sales service, mainly engaged in crystalline silicon solar cells, solar panels, photovoltaic systems, and PV applications. Risun is committed to offer high quality solar components, systems and services to customers around the world.

MANAGEMENT SYSTEMS CERTIFICATES



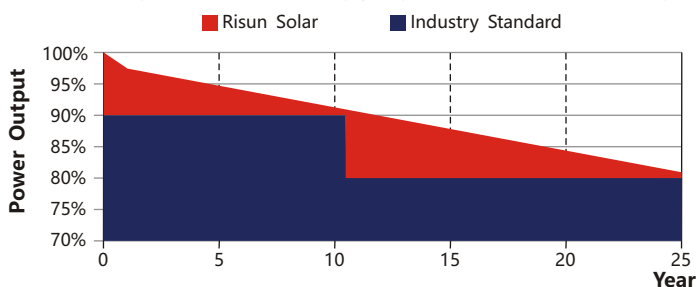
Management System
ISO9001:2008
www.tuv.com
ID 9105016347

PRODUCT CERTIFICATES



LINEAR PERFORMANCE WARRANTY

10 year Product Warranty | 25 year Power Output Warranty



JIANGXI RISUN GREEN ENERGY CO.,LTD.

Add: Dayi Road, Xiacun Industrial Park, Xinyu, Jiangxi, China

Fax: +86 790 6852 888 P.C.: 338019

Web: www.risunsolar.com E-mail: sales@risunsolar.com

International Business Department

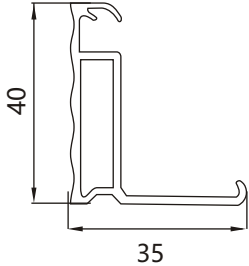
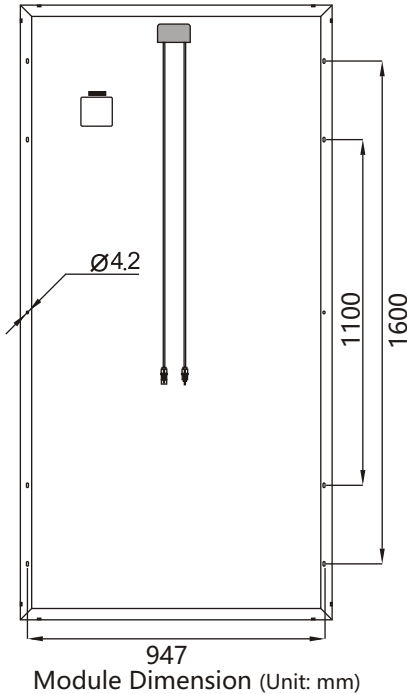
Tel: +86 790 685 2825 +86 790 685 2826 +86 790 685 2886

WhatsApp: +86 15907905869 +86 18879015557

Facebook: <https://www.facebook.com/RisunGreenEnergy>



RSM72-156M 320 – 345W



ELECTRICAL CHARACTERISTICS

Maximum Power P_{mp} , [Watt]	320	325	330	335	340	345
Power Tolerance, [W]	0 / +5					
Voltage at Maximum Power Point V_{mpp} , [V]	36.90	37.10	37.30	37.50	37.71	37.91
Current at Maximum Power Point I_{mpp} , [A]	8.69	8.77	8.85	8.93	9.02	9.10
Open Circuit Voltage V_{oc} , [V]	45.60	45.80	45.99	46.21	46.43	46.65
Short Circuit Current I_{sc} , [A]	9.21	9.28	9.35	9.42	9.50	9.57
Module Efficiency, [%]	16.5	16.7	17.0	17.3	17.5	17.8

Measurements under Standard Test Conditions (STC)
Irradiance 1000W/m², AM1.5G Spectrum and Cell Temperature 25°C

MECHANICAL CHARACTERISTICS

Cell Type	Mono-crystalline, 156.75mm × 156.75mm
Cell Configuration	72 cells (6 × 12)
Module Dimension	1956mm × 992mm × 40mm
Module Weight	25.5 Kg
Glass	4.0mm , low Iron tempered Solar Glass
Frame	Anodized Al alloy Type 6063 T5; Sliver grey
J-Box	Potted, IP67, 1000V DC, IEC & UL certified
Cable	4.0mm ² / 12 AWG, 1000 mm, IP67
Connectors	QC4.10

THERMAL CHARACTERISTICS

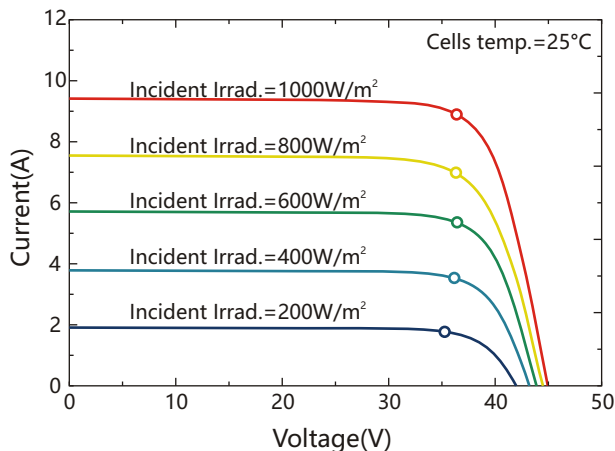
Nominal Operating Temperature NOCT	45 ± 2°C
Temperature Coefficient of I_{sc} , α	+0.06 %/°C
Temperature Coefficient of V_{oc} , β	-0.34 %/°C
Temperature Coefficient of P_{max} , γ	-0.41 %/°C

MAXIMUM OPERATING INSTRUCTIONS

Operating Temperature	-40°C to +85°C
Maximum System Voltage	1000V
Maximum Series Fuse Rating	15A

PACKING INSTRUCTIONS

Number Of Modules Per Box / Pallet	26
Number of Pallets / 40' Container	22



Best performance at Low Irradiance, +97% relative Module Efficiency from an Irradiance of 1000W/m² to 200W/m²

